

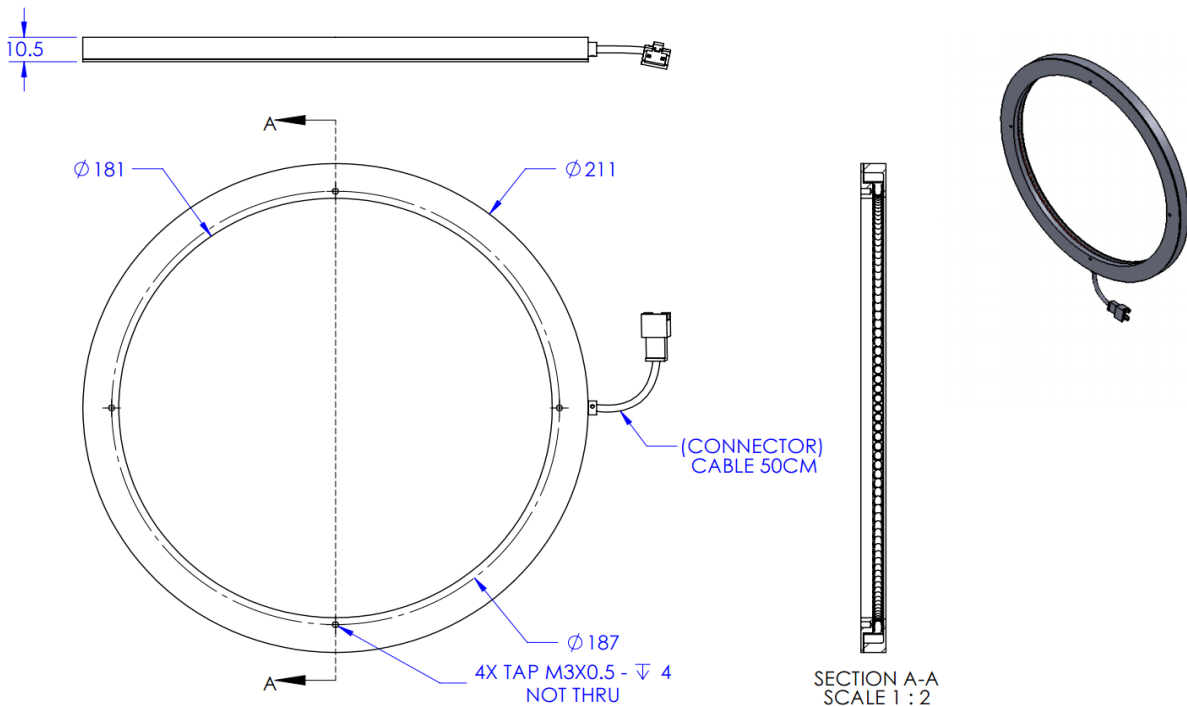


OPTO ENGINEERING

ILLUMINATOR DATA

LTZZ0210-90-1-W-24V

Lighting Dimension



ROHS COMPLIANT CE

Mechanical Information

Casing Material	Aluminium
Storage Temperature Range	0 - 45°C
Storage Humidity Range	20 - 85%
Weight	190g
Length / Outer Diameter	211mm
Width / Inner Diameter	181mm
Thickness / Height	10.5mm



OPTO ENGINEERING

ILLUMINATOR DATA

LTZZO210-90-1-W-24V

Lighting Information																							
Part Number	LTZZO210-90-1-W-24V																						
LED Color	WHITE																						
Wavelength	REFER TO CHROMACITY TABLE																						
Working Distance	20 mm	25 mm	30 mm																				
Intensity (±15%)	8720 lx	9700 lx	8800 lx																				
Illumination (number of row)	1																						
Illumination Active Area	Active Length / Outer Dia.	182 mm																					
	Active Width / Inner Dia.	181 mm																					
Emission angle	90																						
Eye Safety Class (IEC62471)	EXEMPT																						
Chromaticity Table For White colour only	<table border="1"><tr><td>X</td><td>0.296</td><td>0.287</td><td>0.307</td><td>0.311</td></tr><tr><td>Y</td><td>0.276</td><td>0.295</td><td>0.315</td><td>0.294</td></tr></table>	X	0.296	0.287	0.307	0.311	Y	0.276	0.295	0.315	0.294	<table border="1"><tr><td>X</td><td>0.311</td><td>0.307</td><td>0.33</td><td>0.33</td></tr><tr><td>Y</td><td>0.294</td><td>0.315</td><td>0.339</td><td>0.318</td></tr></table>	X	0.311	0.307	0.33	0.33	Y	0.294	0.315	0.339	0.318	
X	0.296	0.287	0.307	0.311																			
Y	0.276	0.295	0.315	0.294																			
X	0.311	0.307	0.33	0.33																			
Y	0.294	0.315	0.339	0.318																			

Electrical Information	
Rated Constant Voltage	24V±2%
Rated Constant Current	300mA
Power Consumption	7.2W
Casing temperature, After 60 minutes operation	45.1 °C

Strobe Mode Specification	
*Normal Strobe Voltage	24 V
*Normal Strobe Current	300mA
Overdrive Voltage Range	Min: 36V Max: 48V
Overdrive Current Range	Min: 2 A Max: 2 A
Recommended Overdrive Voltage	36V
**Max. Trigger Pulse Duration	10 msec
**Max. Duty Cycle	10%

*Normal strobe means the lighting is operated using the rated power. Overdrive means the power supplied to the lighting exceeded the rated power.

**Overdrive condition must not exceed the max. trigger pulse duration and max. duty cycle.

ILLUMINATOR DATA

LTZZ0210-90-1-W-24V

Connection Information			
Connector Type (Default)	JST SMR-03V		
Cable Length	50 cm		
Pin Configuration 	Pin	Signal	Cable Colour
	1	LED +	Red
	2	N.C	-
	3	LED -	White
			

Additional Information	
Additional Cooling Method	Attached to machine part for better heat dissipation
Intensity Controller Selection	SD, ST, ANG, LC, SDA, SDP series
CE Conformity	YES
RoHS Compliance	YES

Application	
Illumination Type	Direct Illumination
Application Use	Label Inspection, Character Inspection, Code Recognition



OPTO ENGINEERING

ILLUMINATOR DATA

LTZZ0210-90-1-W-24V

Lighting Pattern				
Working Distance	For further details please contact us			
Display and Image				
Data Results	Horizontal	Meas.(mm)	Vertical	Meas.(mm)
	90%		90%	
	80%		80%	
	70%		70%	
	60%		60%	
	50%		50%	
	40%		40%	
	30%		30%	
	20%		20%	
	10%		10%	